

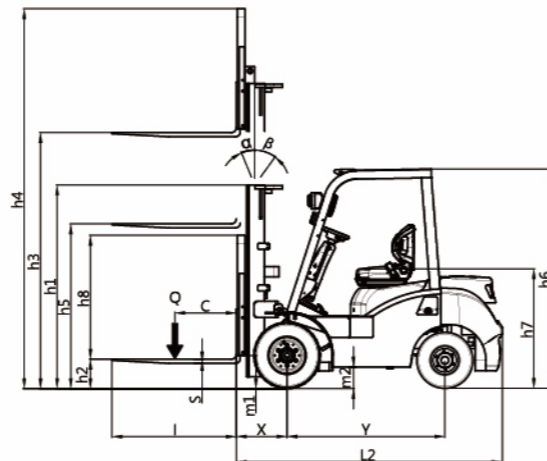
Specification

CHARACTERISTICS	1	Manufacturer			Tailift	Tailift	Tailift	
	2	Series			Z Series	Z Series	Z Series	
	3	Model			ZFG18C (PFG18C)	ZFG25C (PFG25C)	ZFG30C (PFG30C)	
	4	Capacity	Q	Load	lbs	3500	5000	6000
	5	Load center	C	Distance	in	24	24	24
	6	Power type		Electric, Diesel, Gasoline, LPG		LPG	LPG	LPG
	7	Operation type		Pedestrian, Stand, Sit		Sit	Sit	Sit
	8	Tire type		C=Cushion, P=Pneumatic	front/rear	C/C	C/C	C/C
	9	Wheels (X : driven)		Number	front/rear	2x/2	2x/2	2x/2
DIMENSIONS	10	Lift at 2-stage mast	h3	Lift	in	130	130	130
	11		h5	Optional free lift	in	29.3	28.9	28.9
	12	Load bracket	h8	Height of load bracket	in	48	48	48
	13	Fork size		Thickness(S)xWidth(E)xLength(L)	in	1.4x3.9x42	1.6x4.8x42	1.8x4.8x42
	14	Mast tiltion angel		Forward(α) / Back(β)	deg	6°/6°	6°/10°	6°/10°
	15	overall dimensions	L2	Length to face of forks	in	85.2	92.5	95.2
	16		B	Total width	in	38	44.4	44.4
	17		h1	Mast height lowered	in	85.8	86.2	86.2
	18		h4	Mast height extended	in	178	178	178
	19		h6	Overhead guard height	in	80.3	84.3	84.3
	20		h7	Seat height	in	41.9	43.5	43.5
	21		b3	Fork carriage width	in	36.2	36.2	38.2
	22	Turning radius	R		in	75	80.3	90.3
	23	Load distance	X	From center of front axle	in	15.2	16.9	17.4
24	Aisle width	Ast	For load 800x1200 / 1000x1200	in	130/135	130/137.7	147/154.9	
CHASSIS	25		number : front / rear		2/2	2/2	2/2	
	26	Tire size	front		18x6x12 1/8	21x7x15	21x8x15	
	27		rear		14x4 1/2x8	16 1/4x5x11 1/4	16 1/4x6x11 1/4	
	28	Wheelbase	Y		in	48	57.1	57.1
	29	Tread		Center of tires front	in	32.1	34.8	34.8
				Center of tires rear	in	32.5	35.4	35.4
	30	Ground clearance	m1	at lowest point	in	4.0	3.9	3.9
			m2	center of wheelbase	in	4.1	6.1	6.1
32	Service brake		operation / control		Hydraulic	Hydraulic	Hydraulic	
33	Parking brake		operation / control		Hand	Hand	Hand	
POWER	34	Battery		Type		95D31R(H)	95D31R(H)	95D31R(H)
	35			voltage	V	12	12	12
	36			capacity	Ah/5hr	64	64	64

* This is only for reference and not subject to notice in advance if there is any modification.

Engine

Model		ZFG18-ZFG30
Manufacturer		KUBOTA
Engine model		WG2503-L-E3
Rated speed	rpm	2700
Rated Output	kW	41.5
cylinders no. /displacement	No./L	4/2491



TAILIFT MATERIAL HANDLING TAIWAN CO., LTD.

No. 5, Zili 1st Road, Nankang Industrial Zone, Nantou city 540, TAIWAN
 Tel: +886-49-2263800 Fax: +886-49- 2252919
 Website: www.tailift.com E-mail: insales@tailift.com.tw

TAILIFT MATERIAL HANDLING USA, Inc.

14710 John F Kennedy Blvd. Suite 100 Houston, TX 77032
 Website: www.tailift-usa.com

Tailift



3500 ~ 6000 lbs Cushion



Tailift Z series is complete new design with innovation

The elegance of our Diesel and LPG cushion forklift trucks conceals its excellent power and lasting durability. This series are produce from 3500 lbs to 6000 lbs and meet the quality, performance and working efficiency required at any worksite and moreover compact body design and ergonomic functions. All of those are characteristics of a Tailift forklift truck.



• Multifunctional LCD panel
This multifunctional instrument panel is in the central position. Large and easy to read various functions and provides the operator with the maintenance information and suggestions.

• Internal hidden tilt cylinder
Internal tilt cylinder avoids and reduces scrape possibility. Enlarge access space and given better appearance.

• Non-slip entry step
Large foot space and non-slip make the operator get on and get off the vehicle more easily.

• Interlock parking brake
The parking brake has safety protection switch, it is necessary to release the parking brake in order to avoid the touch accident and to ensure the safety.

• High mounted combination rear lights
Integral OHG light include side, reverse, rear lights, brake and direction indicators.

• Large front lights
Integral head light and side lights.

• Hydraulic control levers
The mechanical-hydraulic control lever disposed at the front of the panel. The ergonomic headlines designed to help reduce the driver's arm fatigue.

• Horizontal brakes system
Extended brake pedal arm and reduce pedal resistance design to achieve the purpose of least resistance.

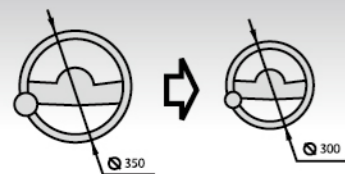
• Adjustable steering wheel column
The easy-handling steering wheel column with tilt adjustment helps to provide the ideal operating position and improve performance.

• Long operator assist grips
have been designed to meet the needs of varying operator sizes.

• Comfortable seat
- Ergonomic sharp design and adjustable backrest
- Adjustable forward and reverse,
- Retractable safety belt
- Document bag

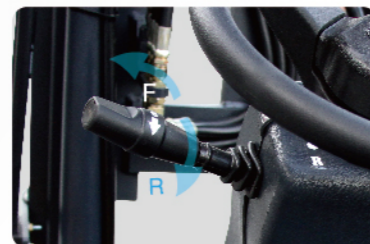
EASY AND SMOOTH TURNING

Small steering wheel



Smaller 300mm steering wheel easy to operate and reduce operator's arm and shoulder's workload.

Electric F/R control lever

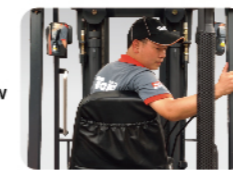


Integral forward/reverse & direction lever offers easy shifting between forward and reverse while keeping both hands on the wheel. It is easy to reach and fast to change direction.

CLEAR VIEW MASTER



Excellent top view



Excellent rear view



Excellent front view



Excellent down view



EASY MAINTENANCE

- Swing down LPG tank bracket makes change-outs quick and easy.
- The new hood open angle has been enlarged to 80 degree, enlarge maintenance space and make maintain and service the truck much easier.
- Engine hood fix button easily opened and fixed, strong and durable
- The detachable foot pedal without bolts can be easily moved away without the tools.
- Compact fuse box for easy and quick inspection
- Easy change air cleaner

